






# Brisa 2000

	Safety cages available for low ceilings.
	Suitable for Damp Location
	
	Compatible with Downrod Light Canopy
	U.S.A. Components and Labor



The Brisa 2000 is our most unique rotational ceiling fan. Like satellites orbiting a planet, the Brisa's select mahogany blades and lunar counterweight gently orbit about its spherical gear housing. The motor head can be infinitely positioned in a 180-degree arc for optimum air movement; the greater the angle of the motor to the horizontal support rods (up or down), the faster the axial rotation. A slow, controlled axial rotation is achieved by both motor head position and fan blade speed. The Brisa is available in these standard finishes: polished chrome, brushed nickel, polished copper, bronze or black. White, brushed copper, polished brass, brushed brass, black nickel and bronzette are available as special orders. Bronzette, incidentally, is our monochromatic powder-coated bronze finish.

- Matthews rotational fans circulate heat and air conditioning more efficiently than traditional paddle fans.
- Constructed of cast aluminum, heavy spun and stamped steel, the Brisa carries a limited lifetime warranty.
- Each unique motor mount and fan head knob is made of genuine marbled Bakelite.
- The Brisa is available with the following blade options:
  - metal blades with decorative metal blade guards
  - solid, ecologically harvested mahogany blades without blade guards
  - metal blades with metal safety cages for use in low ceiling applications (7 ft in US / 8.2 ft in Canada)

## Standard Finishes



## Special Order Finishes



# MATTHEWS

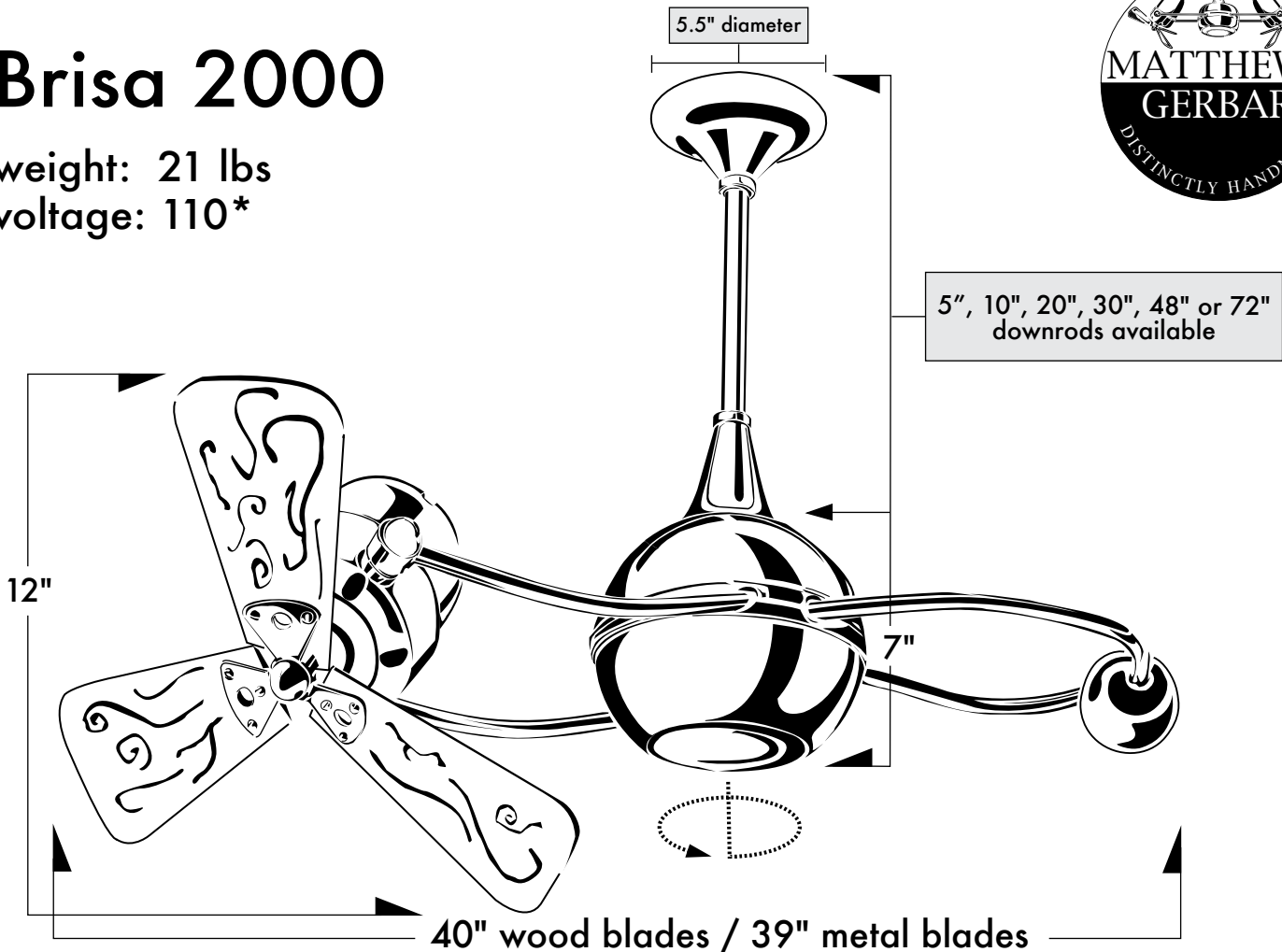
FAN COMPANY

www.matthewsfanco.com



## Brisa 2000

weight: 21 lbs  
voltage: 110\*



Increasing Angles of Fan Heads to Support Poles Increases Speed of Axial Rotation  
Optimum Fan Head Position is 60°

The Brisa can be mounted with any one of the following downrod lengths: 5, 10, 20, 30, 48 or 72".

- The downrods can be easily field cut; they are not threaded.

The Brisa 2000 is compatible with flat or vaulted ceiling canopies.

All fans best regulated by variable speed wall controls.

Metal bladed fans with protective powder or clear coatings are suitable for Damp Location.

Safety cages available for low ceiling applications.

\*Please contact us for possible 220V conversions.



Damp Location